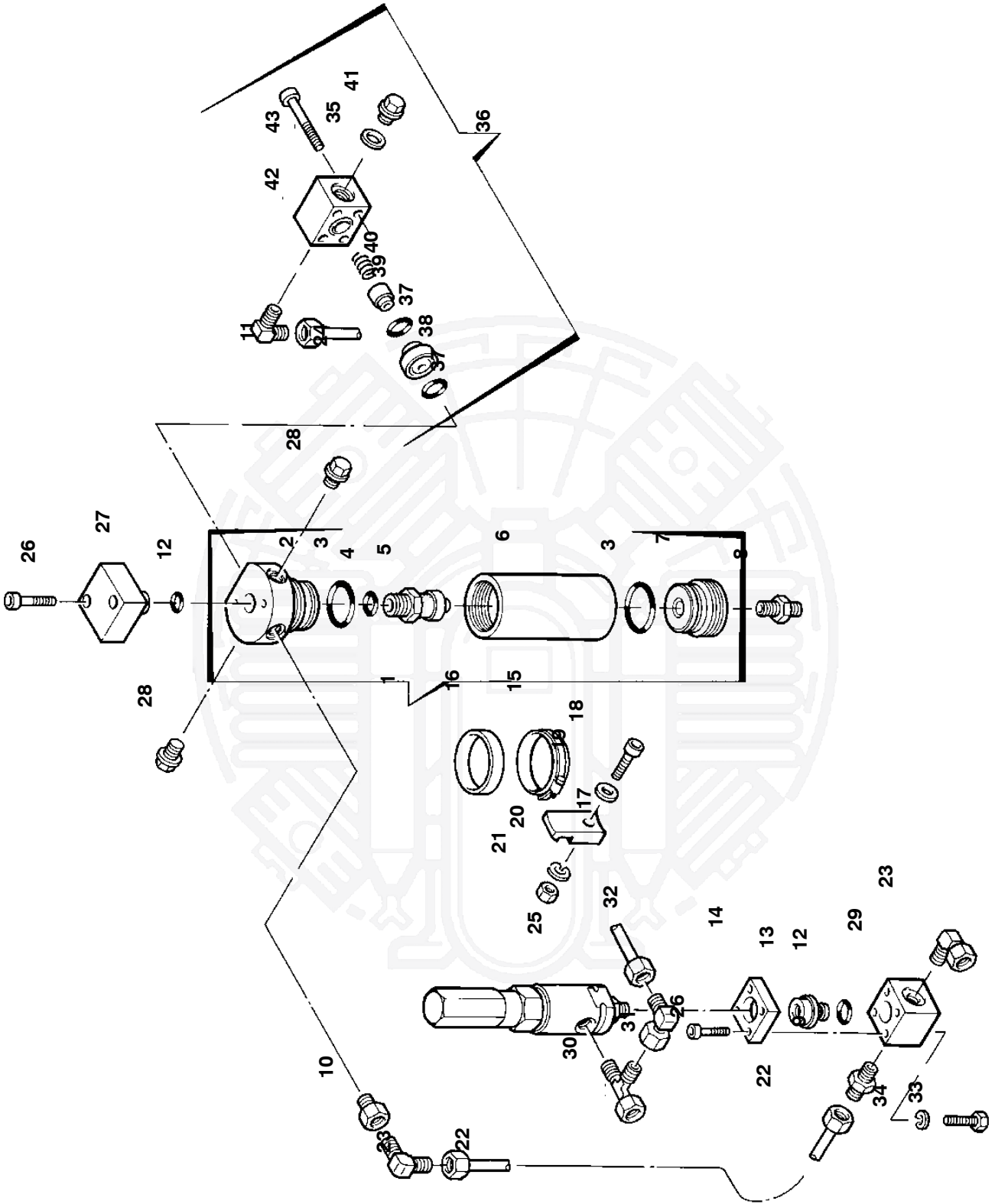


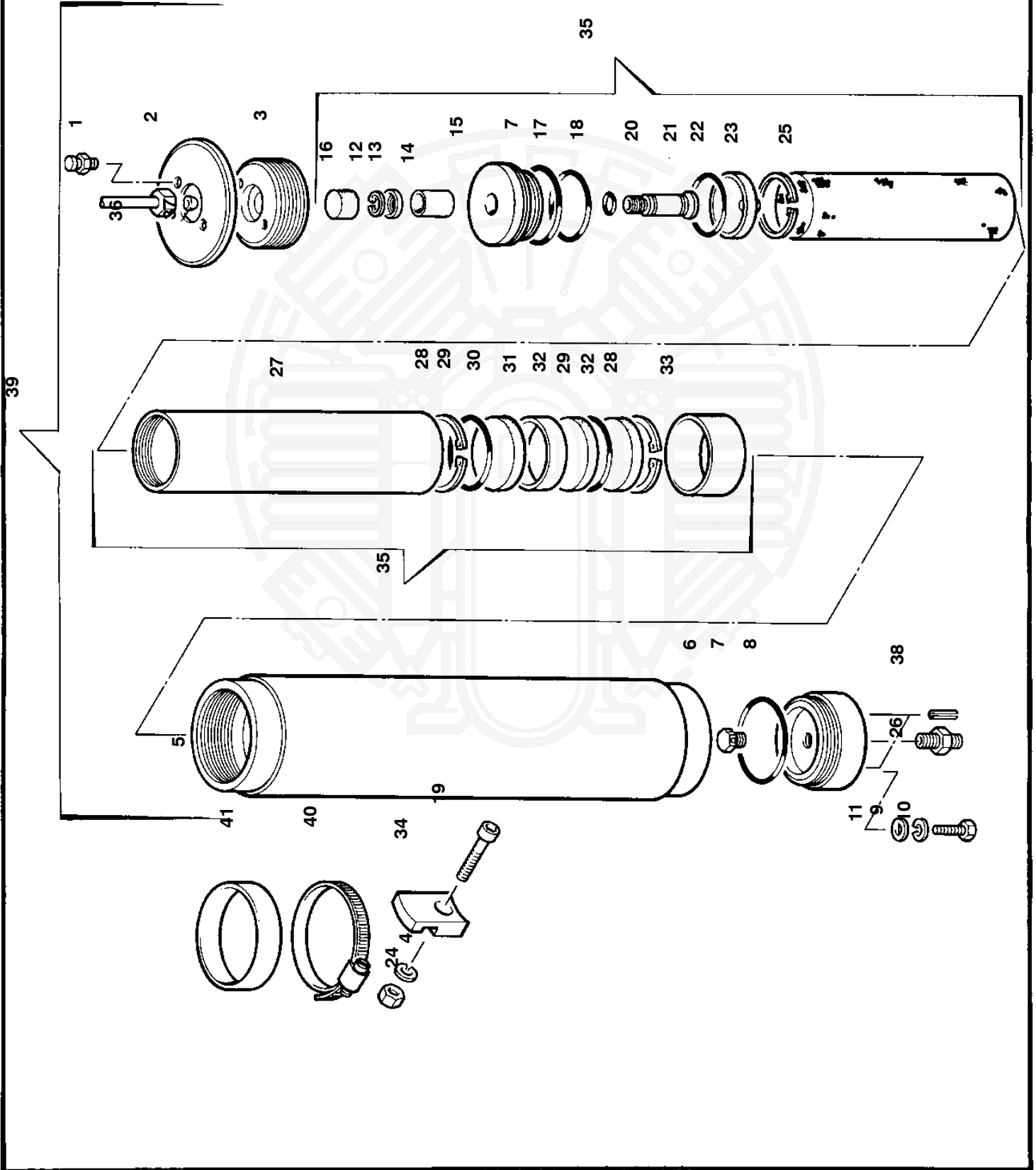
Class	Part. Nr.	Qty.	Description	Unit	Remarks
1	010000	1	Separator	PC	Separator
2	090058-430	1	Oil and water separator	PC	Oil and water separator
3	060061-410	1	Particle filter	PC	Particle filter
4	060099-410	1	Particle filter	PC	Particle filter
5	060102-410	1	Particle filter	PC	Particle filter
6	000081-410	1	Pressure reducing unit	PC	Pressure reducing unit
7	060168-430	1	Valve block and pressure compensator	PC	Valve block and pressure compensator
8	060287-430	1	Control unit	PC	Control unit
9	060287-430	1	Automatic condenser drain	PC	Automatic condenser drain
10					
11					
12					
13					
14					
15					
16					
17					
18					
19					
20					
21					
22					
23					
24					
25					
26					
27					
28					
29					
30					
31					
32					
33					
34					
35					
36					
37					
38					
39					
40					
41					
42					
43					
44					
45					
46					
47					
48					
49					
50					
51					
52					
53					
54					
55					
56					
57					
58					
59					
60					
61					
62					
63					
64					
65					
66					
67					
68					
69					
70					
71					
72					
73					
74					
75					
76					
77					
78					
79					
80					
81					
82					
83					
84					
85					
86					
87					
88					
89					
90					
91					
92					
93					
94					
95					
96					
97					
98					
99					
100					



Part No.	Part Name	QTY	Unit	Notes	Ref	Part No.	Part Name	QTY	Unit	Notes	Ref
1	Spate-partis-ecis	1	PC			1	Spate-partis-ecis	1	PC		
2						2					
3						3					
4						4					
5						5					
6						6					
7						7					
8						8					
9						9					
10						10					
11						11					
12						12					
13						13					
14						14					
15						15					
16						16					
17						17					
18						18					
19						19					
20						20					
21						21					
22						22					
23						23					
24						24					
25						25					
26						26					
27						27					
28						28					
29						29					
30						30					
31						31					
32						32					
33						33					
34						34					
35						35					
36						36					
37						37					
38						38					
39						39					
40						40					
41						41					
42						42					
43						43					
44						44					
45						45					
46						46					
47						47					
48						48					
49						49					
50						50					
51						51					
52						52					
53						53					
54						54					
55						55					
56						56					
57						57					
58						58					
59						59					
60						60					
61						61					
62						62					
63						63					
64						64					
65						65					
66						66					
67						67					
68						68					
69						69					
70						70					
71						71					
72						72					
73						73					
74						74					
75						75					
76						76					
77						77					
78						78					
79						79					
80						80					
81						81					
82						82					
83						83					
84						84					
85						85					
86						86					
87						87					
88						88					
89						89					
90						90					
91						91					
92						92					
93						93					
94						94					
95						95					
96						96					
97						97					
98						98					
99						99					
100						100					

N°	Désignation descriptif	Mesure	Classement	Référence
36	062001-241			
37	N4178	O-Ring	Politechnique	Ø 17,12 x 2,62
38	02042-251	Valve de	Politechnique	
39	02042-250	Spéciale	Politechnique	
40	N4570	Versehrtschraube	Politechnique	Ø 15 x R 14
41	02042-251	Valve de	Politechnique	
42				
43				
44				
45				
46				
47				
48				
49				
50				
51				
52				
53				
54				
55				
56				
57				
58				
59				
60				
61				
62				
63				
64				
65				
66				
67				
68				
69				
70				
71				
72				
73				
74				
75				
76				
77				
78				
79				
80				
81				
82				
83				
84				
85				
86				
87				
88				
89				
90				
91				
92				
93				
94				
95				
96				
97				
98				
99				
100				

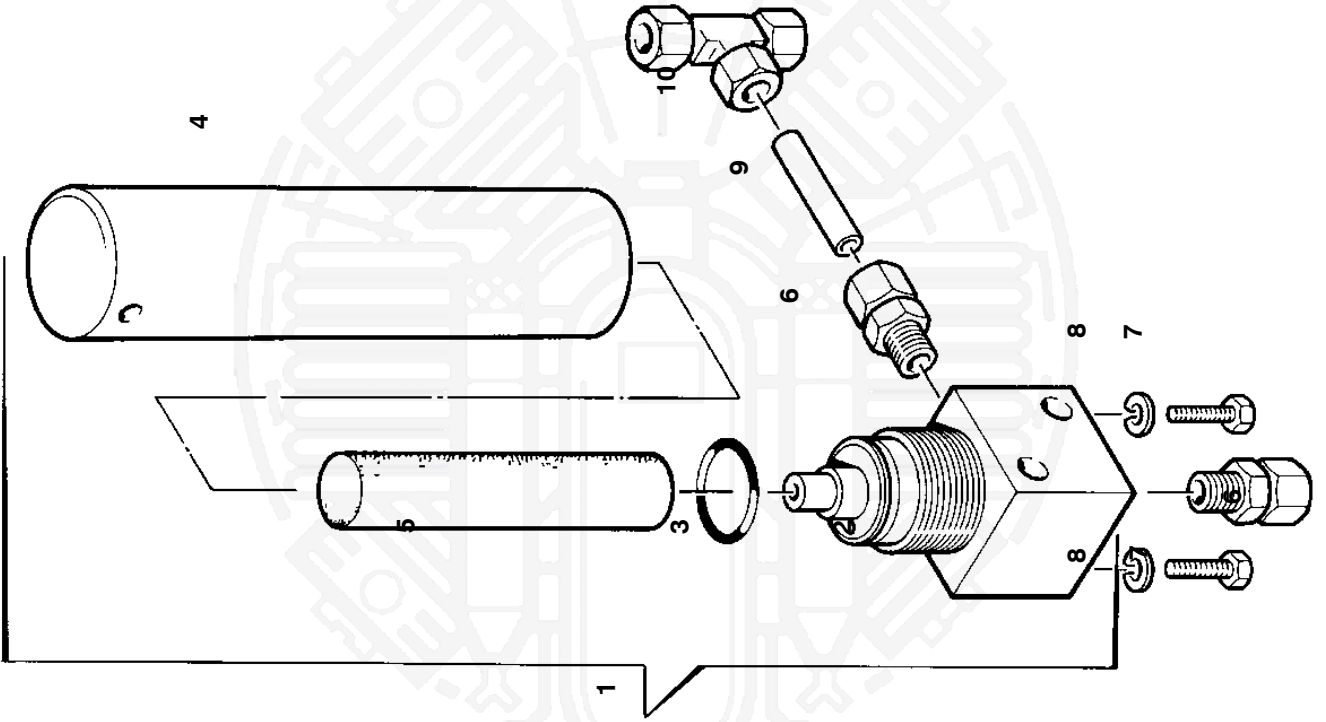


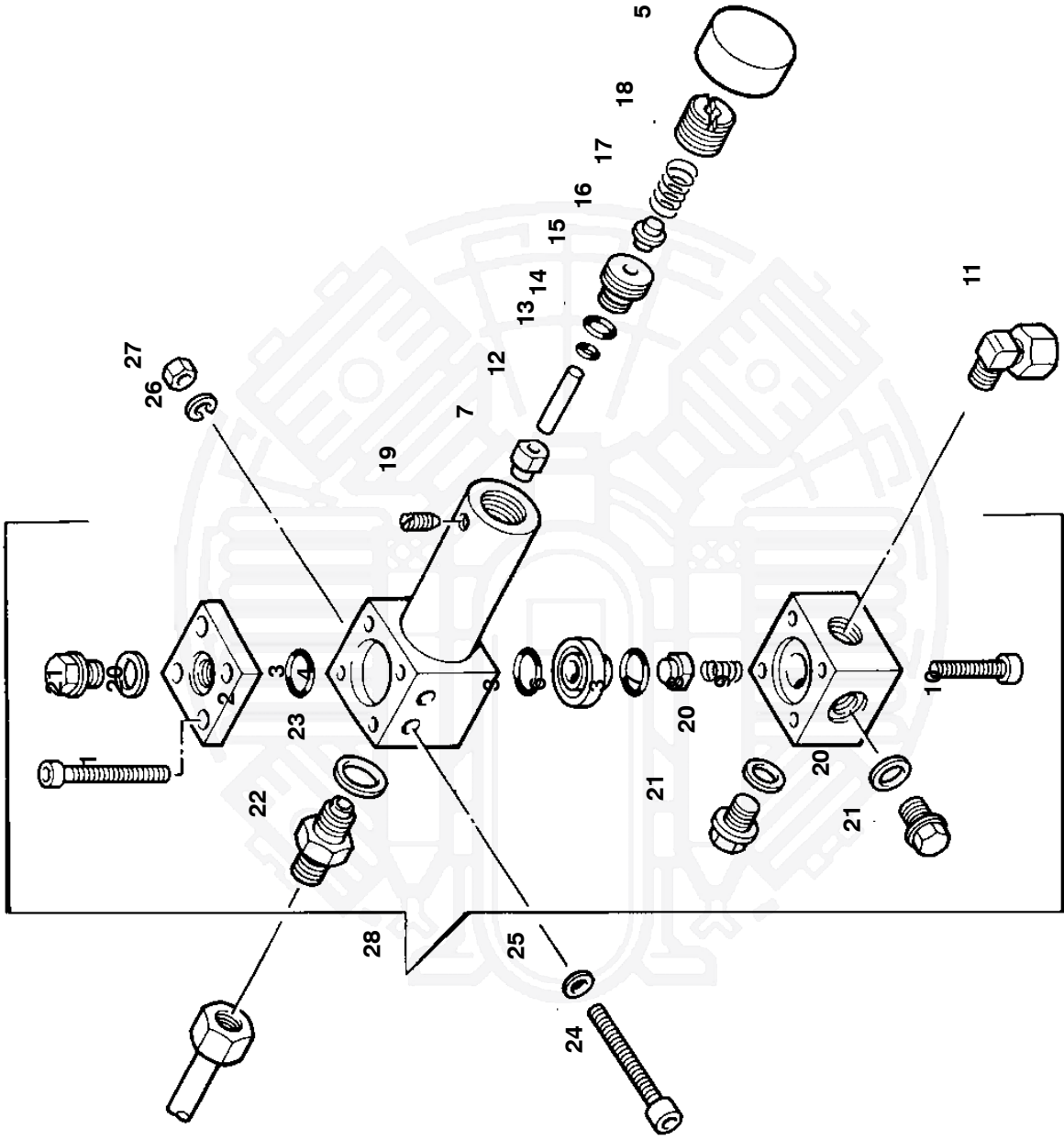


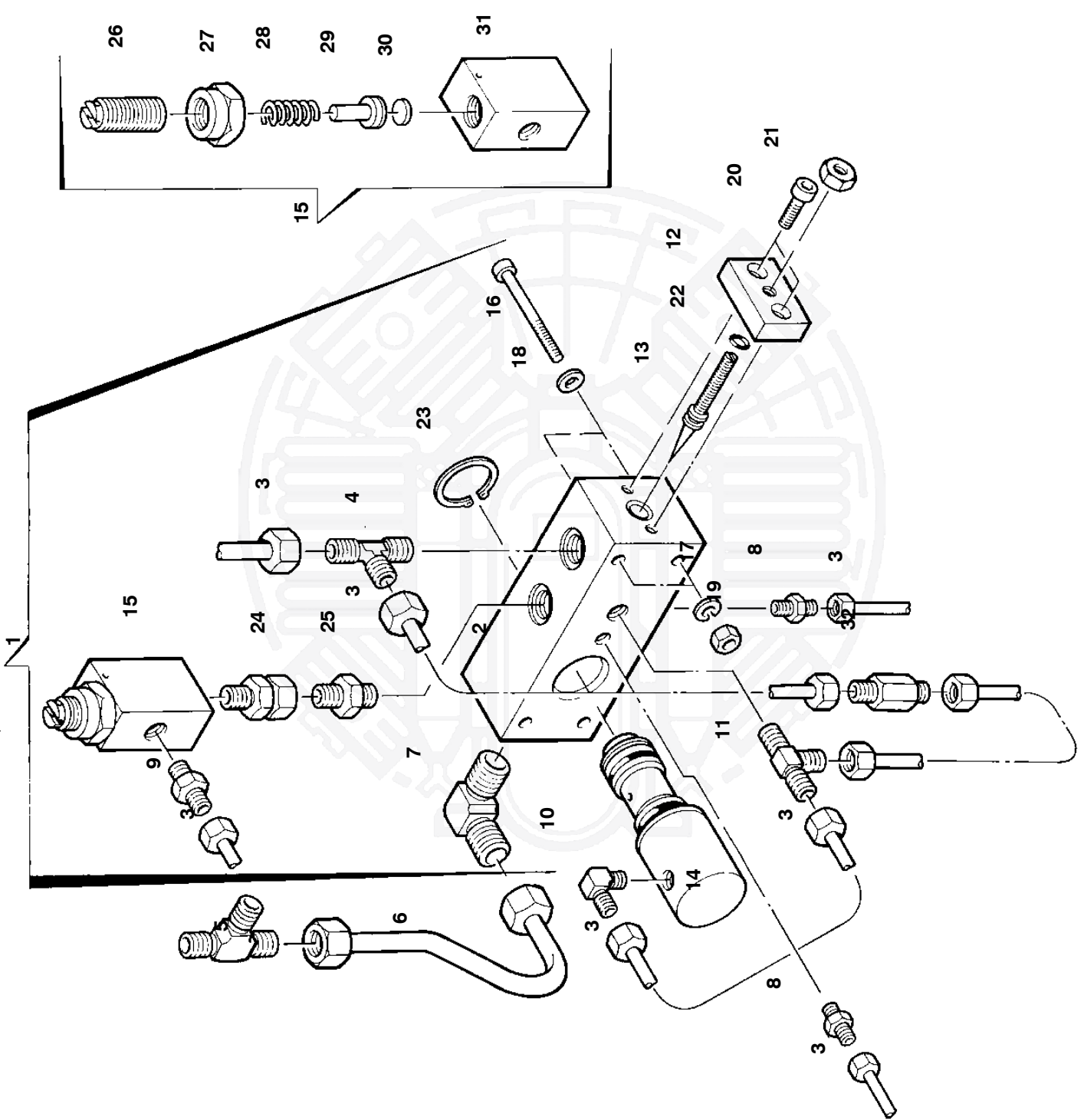
Part No.	Part Name	Material	Quantity	Unit	Notes
1	Spate-partis-ecis	Alu	1	pc	
2	Schulzdeckel	Alu	1	pc	
3	Umflektteil	Alu	1	pc	
4	Umflektteil	Alu	1	pc	
5	Umflektteil	Alu	1	pc	
6	Umflektteil	Alu	1	pc	
7	Umflektteil	Alu	1	pc	
8	Umflektteil	Alu	1	pc	
9	Umflektteil	Alu	1	pc	
10	Sechskantschraube	Hex. steel	M12	pc	DIN 933
11	Washers	Alu	Ø16	pc	DIN 934
12	Umflektteil	Alu	1	pc	
13	Umflektteil	Alu	1	pc	
14	Umflektteil	Alu	1	pc	
15	Umflektteil	Alu	1	pc	
16	Umflektteil	Alu	1	pc	
17	Umflektteil	Alu	1	pc	
18	O-Ring	NBR	Ø16	pc	
19	Umflektteil	Alu	1	pc	
20	Umflektteil	Alu	1	pc	
21	Umflektteil	Alu	1	pc	
22	Umflektteil	Alu	1	pc	
23	Umflektteil	Alu	1	pc	
24	Umflektteil	Alu	1	pc	
25	Umflektteil	Alu	1	pc	
26	Umflektteil	Alu	1	pc	
27	Umflektteil	Alu	1	pc	
28	Umflektteil	Alu	1	pc	
29	Umflektteil	Alu	1	pc	
30	Umflektteil	Alu	1	pc	
31	Umflektteil	Alu	1	pc	
32	Umflektteil	Alu	1	pc	
33	Umflektteil	Alu	1	pc	
34	Umflektteil	Alu	1	pc	
35	Umflektteil	Alu	1	pc	
36	Umflektteil	Alu	1	pc	
37	Umflektteil	Alu	1	pc	
38	Umflektteil	Alu	1	pc	
39	Umflektteil	Alu	1	pc	
40	Umflektteil	Alu	1	pc	
41	Umflektteil	Alu	1	pc	
42	Umflektteil	Alu	1	pc	
43	Umflektteil	Alu	1	pc	
44	Umflektteil	Alu	1	pc	
45	Umflektteil	Alu	1	pc	
46	Umflektteil	Alu	1	pc	
47	Umflektteil	Alu	1	pc	
48	Umflektteil	Alu	1	pc	
49	Umflektteil	Alu	1	pc	
50	Umflektteil	Alu	1	pc	
51	Umflektteil	Alu	1	pc	
52	Umflektteil	Alu	1	pc	
53	Umflektteil	Alu	1	pc	
54	Umflektteil	Alu	1	pc	
55	Umflektteil	Alu	1	pc	
56	Umflektteil	Alu	1	pc	
57	Umflektteil	Alu	1	pc	
58	Umflektteil	Alu	1	pc	
59	Umflektteil	Alu	1	pc	
60	Umflektteil	Alu	1	pc	
61	Umflektteil	Alu	1	pc	
62	Umflektteil	Alu	1	pc	
63	Umflektteil	Alu	1	pc	
64	Umflektteil	Alu	1	pc	
65	Umflektteil	Alu	1	pc	
66	Umflektteil	Alu	1	pc	
67	Umflektteil	Alu	1	pc	
68	Umflektteil	Alu	1	pc	
69	Umflektteil	Alu	1	pc	
70	Umflektteil	Alu	1	pc	
71	Umflektteil	Alu	1	pc	
72	Umflektteil	Alu	1	pc	
73	Umflektteil	Alu	1	pc	
74	Umflektteil	Alu	1	pc	
75	Umflektteil	Alu	1	pc	
76	Umflektteil	Alu	1	pc	
77	Umflektteil	Alu	1	pc	
78	Umflektteil	Alu	1	pc	
79	Umflektteil	Alu	1	pc	
80	Umflektteil	Alu	1	pc	
81	Umflektteil	Alu	1	pc	
82	Umflektteil	Alu	1	pc	
83	Umflektteil	Alu	1	pc	
84	Umflektteil	Alu	1	pc	
85	Umflektteil	Alu	1	pc	
86	Umflektteil	Alu	1	pc	
87	Umflektteil	Alu	1	pc	
88	Umflektteil	Alu	1	pc	
89	Umflektteil	Alu	1	pc	
90	Umflektteil	Alu	1	pc	
91	Umflektteil	Alu	1	pc	
92	Umflektteil	Alu	1	pc	
93	Umflektteil	Alu	1	pc	
94	Umflektteil	Alu	1	pc	
95	Umflektteil	Alu	1	pc	
96	Umflektteil	Alu	1	pc	
97	Umflektteil	Alu	1	pc	
98	Umflektteil	Alu	1	pc	
99	Umflektteil	Alu	1	pc	
100	Umflektteil	Alu	1	pc	

1	2	3	4	5	6	7	8	9	10	11	12	13	14	15	16	17	18	19	20	21	22	23	24	25	26	27	28	29	30	31	32	33	34	35	36	37	38	39	40	41	42	43	44	45	46	47	48	49	50	51	52	53	54	55	56	57	58	59	60	61	62	63	64	65	66	67	68	69	70	71	72	73	74	75	76	77	78	79	80	81	82	83	84	85	86	87	88	89	90	91	92	93	94	95	96	97	98	99	100
---	---	---	---	---	---	---	---	---	----	----	----	----	----	----	----	----	----	----	----	----	----	----	----	----	----	----	----	----	----	----	----	----	----	----	----	----	----	----	----	----	----	----	----	----	----	----	----	----	----	----	----	----	----	----	----	----	----	----	----	----	----	----	----	----	----	----	----	----	----	----	----	----	----	----	----	----	----	----	----	----	----	----	----	----	----	----	----	----	----	----	----	----	----	----	----	----	----	----	-----

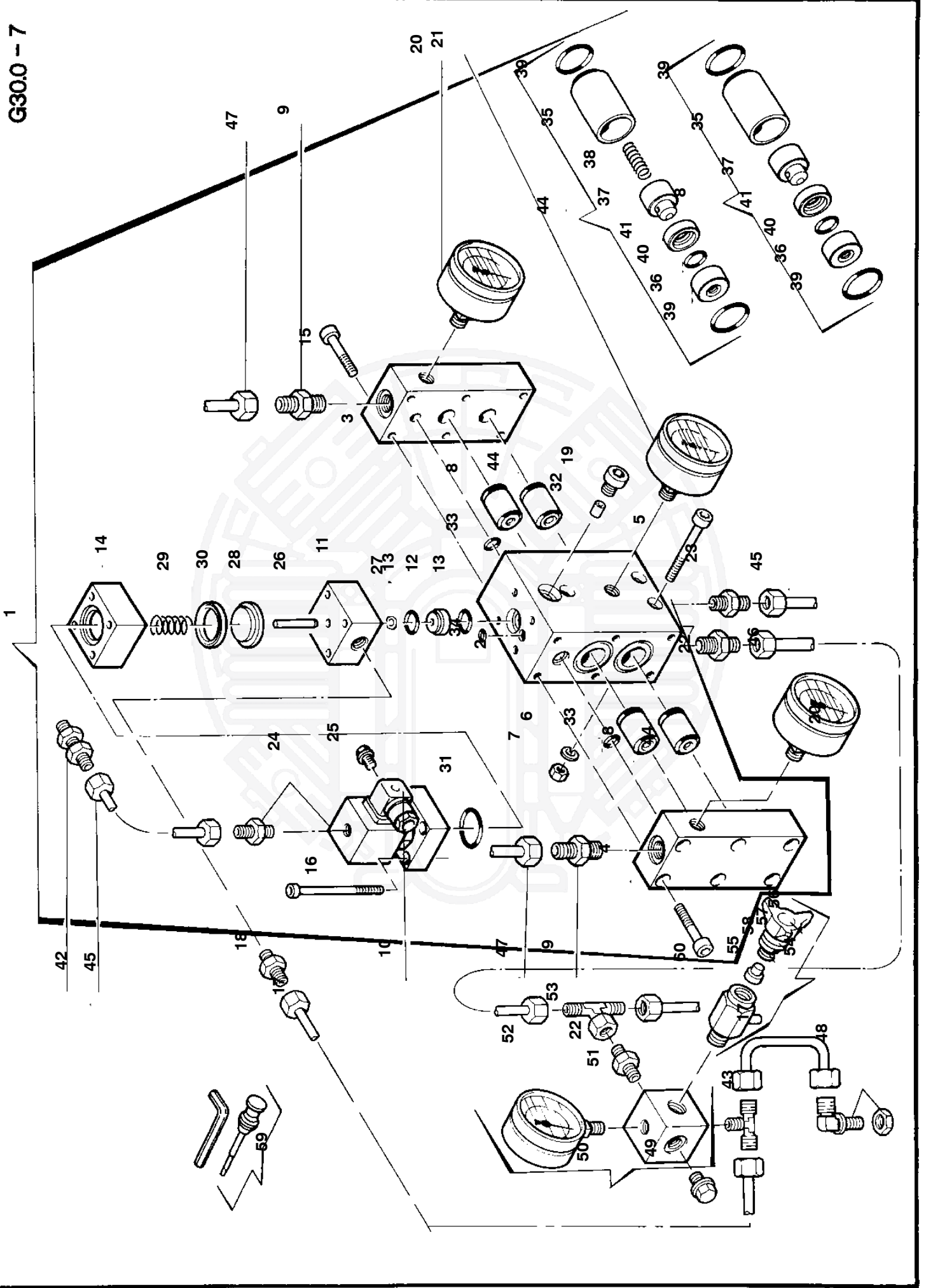


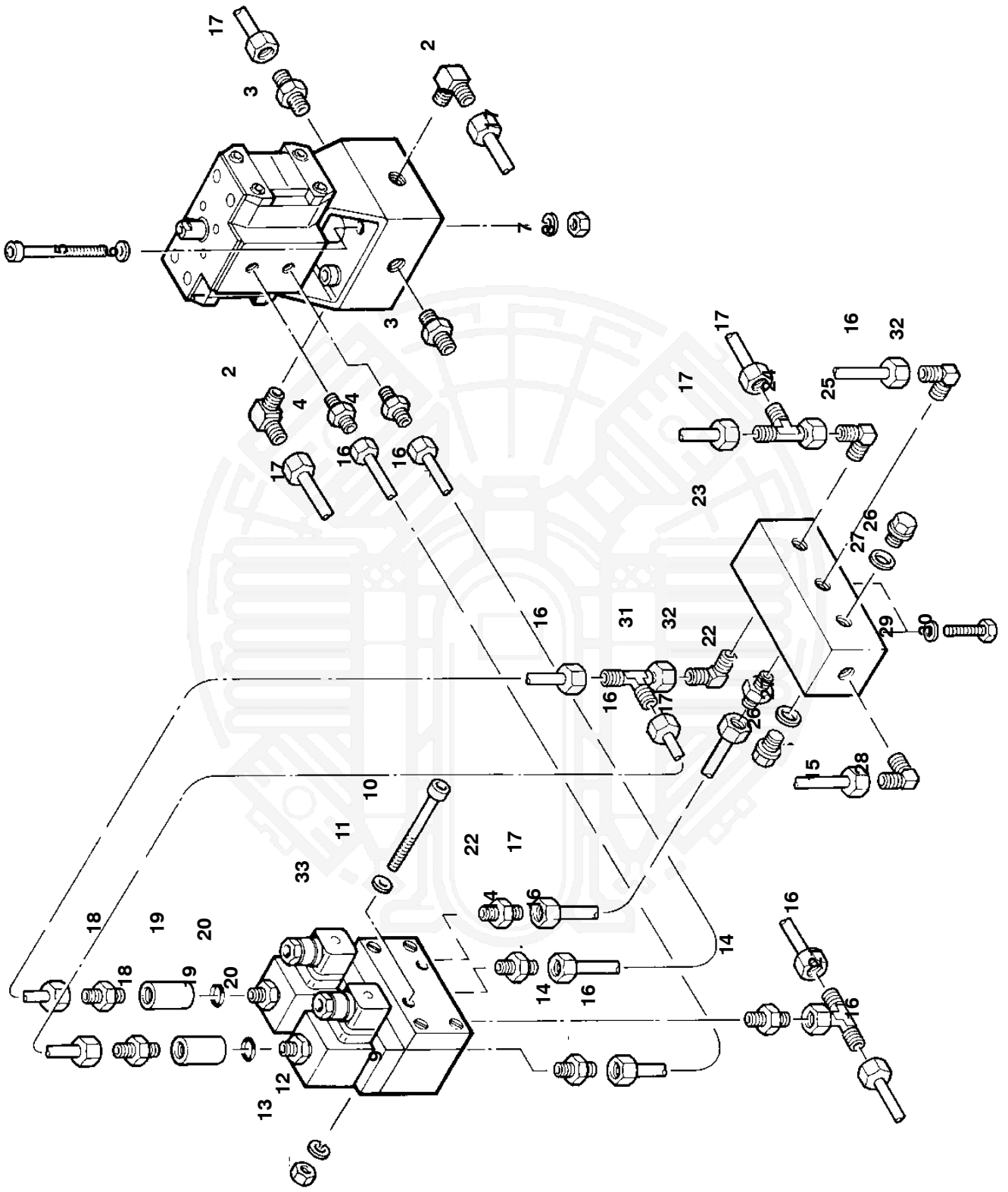






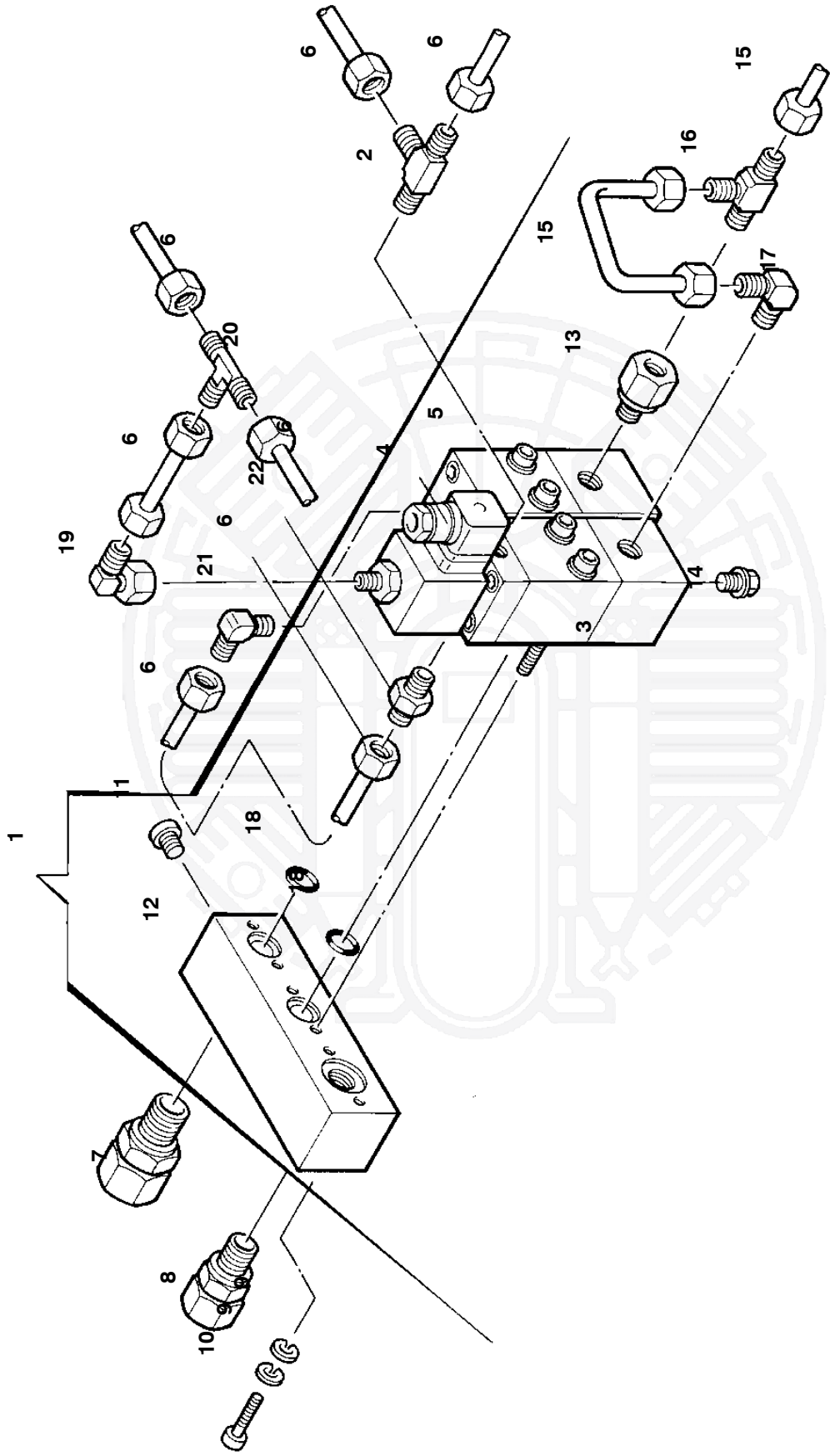
Class	Part No.	Qty	Description	Dimensions
1	000001	271	Dimensional plate	Dimensions
2	69264-341		Mainfold	Dimensions
3			Component	
4	N4023		Washer	Ø 10
5	N4693		Controling tube	Ø 10
6			Component	
7	N7271		Washer	Ø 10
8	N7273		Washer	Ø 10
9	N1057		Male elbow	Ø 10
10			Component	
11	N7274		Washer	Ø 10
12	60266-371		Nut	Ø 10
13	N17943		Pressure reducer	Ø 10
14	020235-250		Supply valve	Ø 10
15			Component	
16	N1700		Washer	Ø 10
17			Component	
18	N1092		Washer	Ø 10
19	N1271		Washer	Ø 10
20	N3774		Washer	Ø 10
21			Component	
22	N3056		Ø-Ring	Ø 533 X 2.62
23			Component	
24	N3072		Washer	Ø 10
25	14261-340		Adjustment screw	Ø 10
26	147700		Washer	Ø 10
27	5200-370		Washer	Ø 10
28	8265-340		Valve seat	Ø 10
29	14724-250		Washer	Ø 10
30			Component	
31			Component	
32			Component	
33			Component	
34			Component	
35			Component	
36			Component	
37			Component	
38			Component	
39			Component	
40			Component	
41			Component	
42			Component	
43			Component	
44			Component	
45			Component	
46			Component	
47			Component	
48			Component	
49			Component	
50			Component	
51			Component	
52			Component	
53			Component	
54			Component	
55			Component	
56			Component	
57			Component	
58			Component	
59			Component	
60			Component	
61			Component	
62			Component	
63			Component	
64			Component	
65			Component	
66			Component	
67			Component	
68			Component	
69			Component	
70			Component	
71			Component	
72			Component	
73			Component	
74			Component	
75			Component	
76			Component	
77			Component	
78			Component	
79			Component	
80			Component	
81			Component	
82			Component	
83			Component	
84			Component	
85			Component	
86			Component	
87			Component	
88			Component	
89			Component	
90			Component	
91			Component	
92			Component	
93			Component	
94			Component	
95			Component	
96			Component	
97			Component	
98			Component	
99			Component	
100			Component	



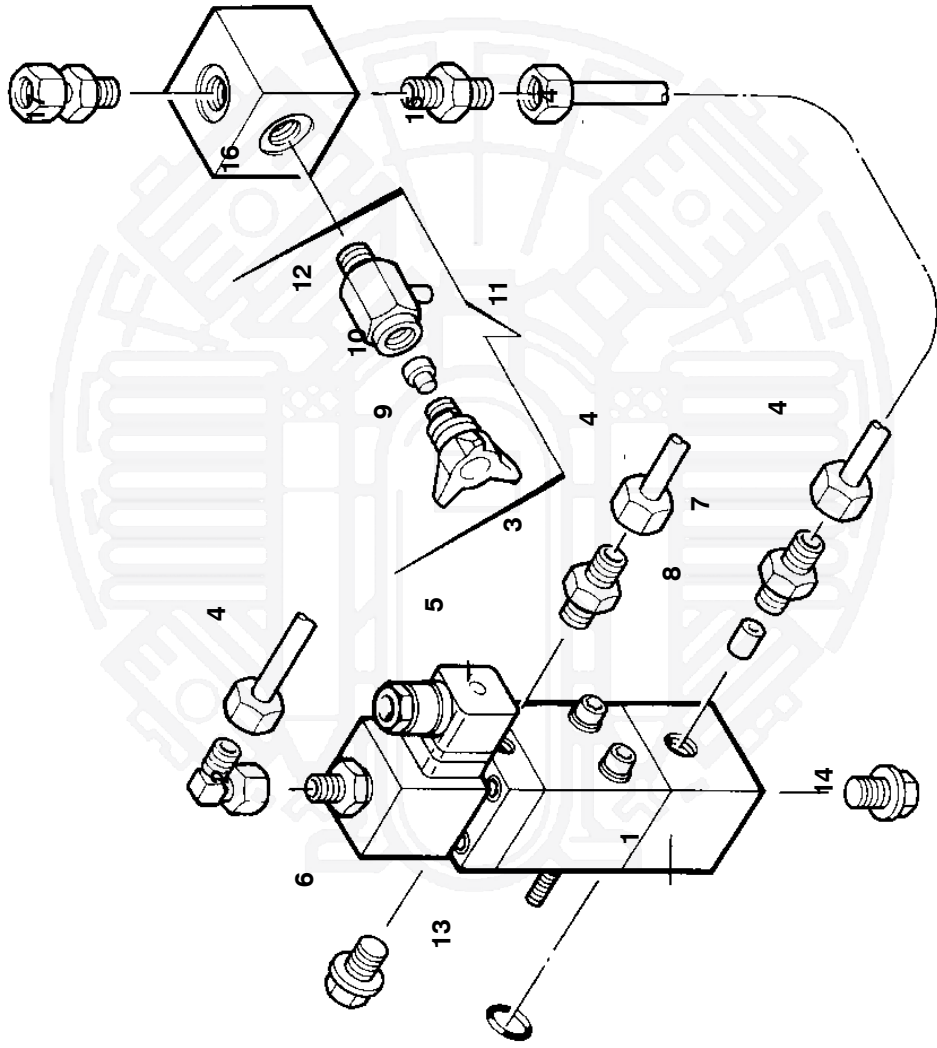


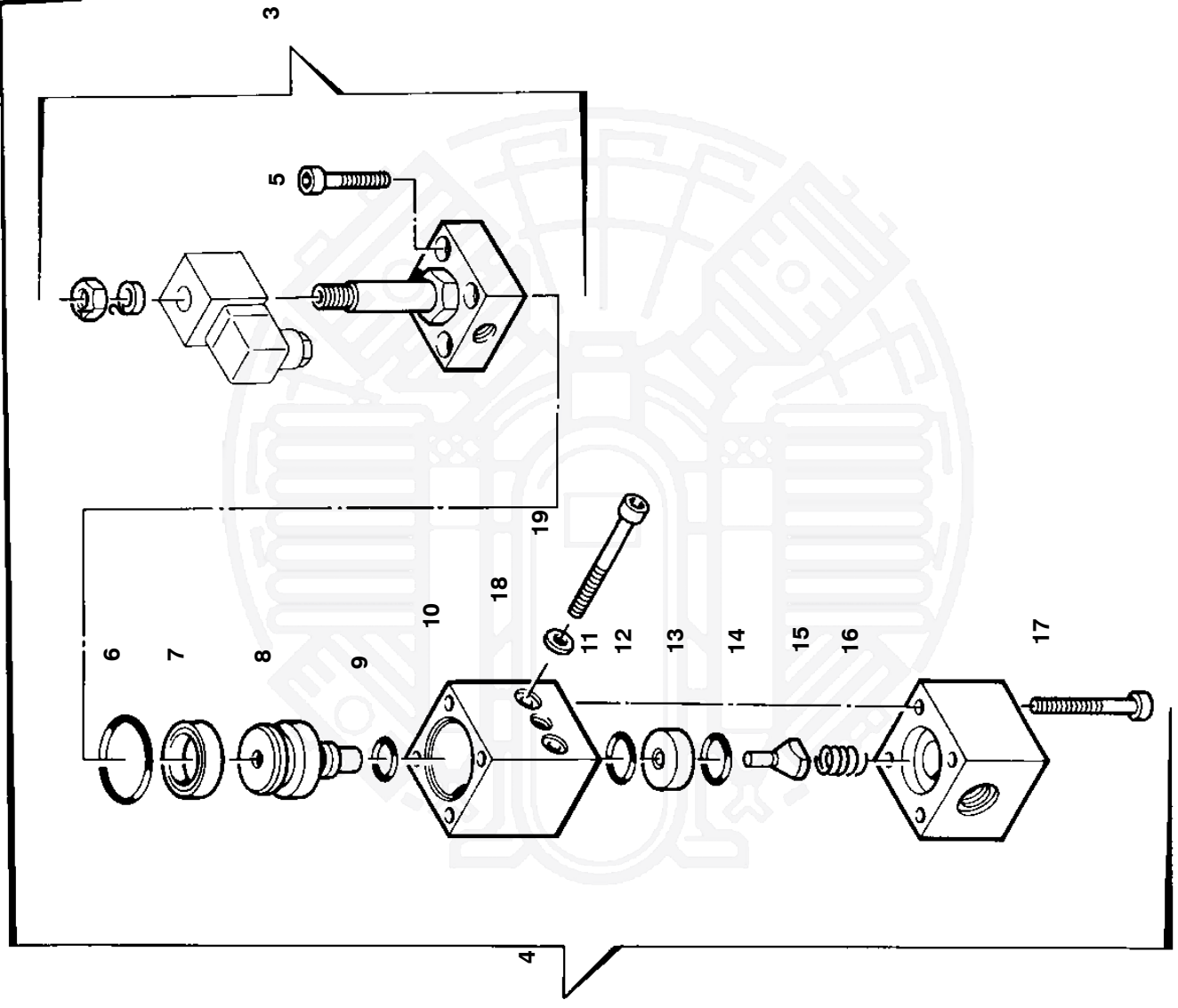
№	А.М.Самарский Институт Топографии и Геодезии	Д.С.Самарский Институт Топографии и Геодезии	А.М.Самарский Институт Топографии и Геодезии
1	1	1	1
2	2	2	2
3	3	3	3
4	4	4	4
5	5	5	5
6	6	6	6
7	7	7	7
8	8	8	8
9	9	9	9
10	10	10	10
11	11	11	11
12	12	12	12
13	13	13	13
14	14	14	14
15	15	15	15
16	16	16	16
17	17	17	17
18	18	18	18
19	19	19	19
20	20	20	20
21	21	21	21
22	22	22	22
23	23	23	23
24	24	24	24
25	25	25	25
26	26	26	26
27	27	27	27
28	28	28	28
29	29	29	29
30	30	30	30
31	31	31	31
32	32	32	32
33	33	33	33
34	34	34	34
35	35	35	35
36	36	36	36
37	37	37	37
38	38	38	38
39	39	39	39
40	40	40	40
41	41	41	41
42	42	42	42
43	43	43	43
44	44	44	44
45	45	45	45
46	46	46	46
47	47	47	47
48	48	48	48
49	49	49	49
50	50	50	50
51	51	51	51
52	52	52	52
53	53	53	53
54	54	54	54
55	55	55	55
56	56	56	56
57	57	57	57
58	58	58	58
59	59	59	59
60	60	60	60
61	61	61	61
62	62	62	62
63	63	63	63
64	64	64	64
65	65	65	65
66	66	66	66
67	67	67	67
68	68	68	68
69	69	69	69
70	70	70	70
71	71	71	71
72	72	72	72
73	73	73	73
74	74	74	74
75	75	75	75
76	76	76	76
77	77	77	77
78	78	78	78
79	79	79	79
80	80	80	80
81	81	81	81
82	82	82	82
83	83	83	83
84	84	84	84
85	85	85	85
86	86	86	86
87	87	87	87
88	88	88	88
89	89	89	89
90	90	90	90
91	91	91	91
92	92	92	92
93	93	93	93
94	94	94	94
95	95	95	95
96	96	96	96
97	97	97	97
98	98	98	98
99	99	99	99
100	100	100	100
101	101	101	101
102	102	102	102
103	103	103	103
104	104	104	104
105	105	105	105
106	106	106	106
107	107	107	107
108	108	108	108
109	109	109	109
110	110	110	110
111	111	111	111
112	112	112	112
113	113	113	113
114	114	114	114
115	115	115	115
116	116	116	116
117	117	117	117
118	118	118	118
119	119	119	119
120	120	120	120
121	121	121	121
122	122	122	122
123	123	123	123
124	124	124	124
125	125	125	125
126	126	126	126
127	127	127	127
128	128	128	128
129	129	129	129
130	130	130	130
131	131	131	131
132	132	132	132
133	133	133	133
134	134	134	134
135	135	135	135
136	136	136	136
137	137	137	137
138	138	138	138
139	139	139	139
140	140	140	140
141	141	141	141
142	142	142	142
143	143	143	143
144	144	144	144
145	145	145	145
146	146	146	146
147	147	147	147
148	148	148	148
149	149	149	149
150	150	150	150



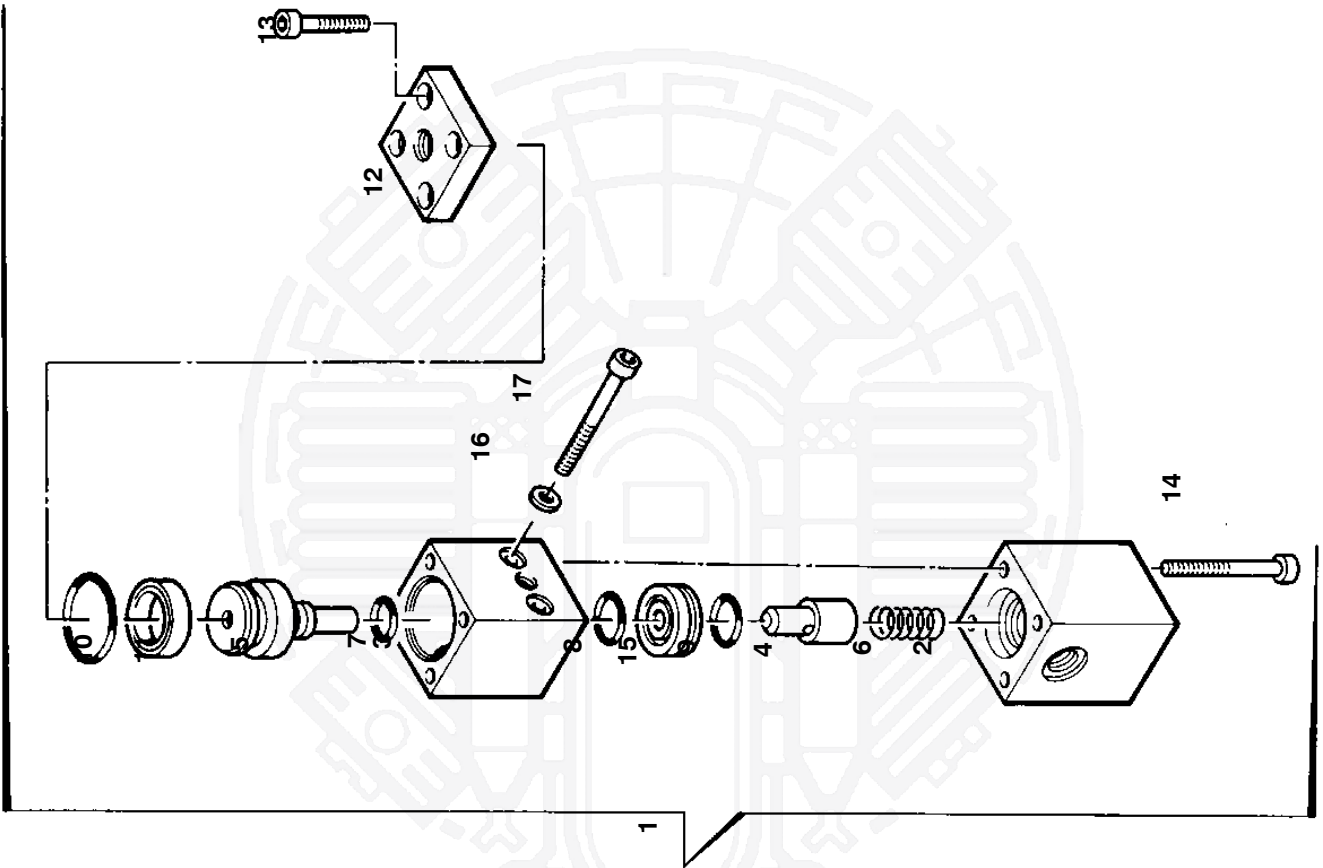


Class	Part No.	Qty	Description	Material	Dimensions	Notes
1	N-1000	1	Head screw	Steel	Ø 6 x 16	DIN 913
2	N-1001	1	Washer	Steel	Ø 6 x 16	DIN 934
3	N-1002	1	Lock washer	Steel	Ø 6 x 16	DIN 934
4	N-1003	1	Bracket	Aluminum	100 x 50 x 5	
5	N-1004	1	Bracket	Aluminum	100 x 50 x 5	
6	N-1005	1	Bracket	Aluminum	100 x 50 x 5	
7	N-1006	1	Bracket	Aluminum	100 x 50 x 5	
8	N-1007	1	Bracket	Aluminum	100 x 50 x 5	
9	N-1008	1	Bracket	Aluminum	100 x 50 x 5	
10	N-1009	1	Bracket	Aluminum	100 x 50 x 5	
11	N-1010	1	Bracket	Aluminum	100 x 50 x 5	
12	N-1011	1	Bracket	Aluminum	100 x 50 x 5	
13	N-1012	1	Bracket	Aluminum	100 x 50 x 5	
14	N-1013	1	Bracket	Aluminum	100 x 50 x 5	
15	N-1014	1	Bracket	Aluminum	100 x 50 x 5	
16	N-1015	1	Bracket	Aluminum	100 x 50 x 5	
17	N-1016	1	Bracket	Aluminum	100 x 50 x 5	
18	N-1017	1	Bracket	Aluminum	100 x 50 x 5	
19	N-1018	1	Bracket	Aluminum	100 x 50 x 5	
20	N-1019	1	Bracket	Aluminum	100 x 50 x 5	
21	N-1020	1	Bracket	Aluminum	100 x 50 x 5	
22	N-1021	1	Bracket	Aluminum	100 x 50 x 5	
23	N-1022	1	Bracket	Aluminum	100 x 50 x 5	
24	N-1023	1	Bracket	Aluminum	100 x 50 x 5	
25	N-1024	1	Bracket	Aluminum	100 x 50 x 5	
26	N-1025	1	Bracket	Aluminum	100 x 50 x 5	
27	N-1026	1	Bracket	Aluminum	100 x 50 x 5	
28	N-1027	1	Bracket	Aluminum	100 x 50 x 5	
29	N-1028	1	Bracket	Aluminum	100 x 50 x 5	
30	N-1029	1	Bracket	Aluminum	100 x 50 x 5	
31	N-1030	1	Bracket	Aluminum	100 x 50 x 5	
32	N-1031	1	Bracket	Aluminum	100 x 50 x 5	
33	N-1032	1	Bracket	Aluminum	100 x 50 x 5	
34	N-1033	1	Bracket	Aluminum	100 x 50 x 5	
35	N-1034	1	Bracket	Aluminum	100 x 50 x 5	
36	N-1035	1	Bracket	Aluminum	100 x 50 x 5	
37	N-1036	1	Bracket	Aluminum	100 x 50 x 5	
38	N-1037	1	Bracket	Aluminum	100 x 50 x 5	
39	N-1038	1	Bracket	Aluminum	100 x 50 x 5	
40	N-1039	1	Bracket	Aluminum	100 x 50 x 5	
41	N-1040	1	Bracket	Aluminum	100 x 50 x 5	
42	N-1041	1	Bracket	Aluminum	100 x 50 x 5	
43	N-1042	1	Bracket	Aluminum	100 x 50 x 5	
44	N-1043	1	Bracket	Aluminum	100 x 50 x 5	
45	N-1044	1	Bracket	Aluminum	100 x 50 x 5	
46	N-1045	1	Bracket	Aluminum	100 x 50 x 5	
47	N-1046	1	Bracket	Aluminum	100 x 50 x 5	
48	N-1047	1	Bracket	Aluminum	100 x 50 x 5	
49	N-1048	1	Bracket	Aluminum	100 x 50 x 5	
50	N-1049	1	Bracket	Aluminum	100 x 50 x 5	
51	N-1050	1	Bracket	Aluminum	100 x 50 x 5	
52	N-1051	1	Bracket	Aluminum	100 x 50 x 5	
53	N-1052	1	Bracket	Aluminum	100 x 50 x 5	
54	N-1053	1	Bracket	Aluminum	100 x 50 x 5	
55	N-1054	1	Bracket	Aluminum	100 x 50 x 5	
56	N-1055	1	Bracket	Aluminum	100 x 50 x 5	
57	N-1056	1	Bracket	Aluminum	100 x 50 x 5	
58	N-1057	1	Bracket	Aluminum	100 x 50 x 5	
59	N-1058	1	Bracket	Aluminum	100 x 50 x 5	
60	N-1059	1	Bracket	Aluminum	100 x 50 x 5	
61	N-1060	1	Bracket	Aluminum	100 x 50 x 5	
62	N-1061	1	Bracket	Aluminum	100 x 50 x 5	
63	N-1062	1	Bracket	Aluminum	100 x 50 x 5	
64	N-1063	1	Bracket	Aluminum	100 x 50 x 5	
65	N-1064	1	Bracket	Aluminum	100 x 50 x 5	
66	N-1065	1	Bracket	Aluminum	100 x 50 x 5	
67	N-1066	1	Bracket	Aluminum	100 x 50 x 5	
68	N-1067	1	Bracket	Aluminum	100 x 50 x 5	
69	N-1068	1	Bracket	Aluminum	100 x 50 x 5	
70	N-1069	1	Bracket	Aluminum	100 x 50 x 5	
71	N-1070	1	Bracket	Aluminum	100 x 50 x 5	
72	N-1071	1	Bracket	Aluminum	100 x 50 x 5	
73	N-1072	1	Bracket	Aluminum	100 x 50 x 5	
74	N-1073	1	Bracket	Aluminum	100 x 50 x 5	
75	N-1074	1	Bracket	Aluminum	100 x 50 x 5	
76	N-1075	1	Bracket	Aluminum	100 x 50 x 5	
77	N-1076	1	Bracket	Aluminum	100 x 50 x 5	
78	N-1077	1	Bracket	Aluminum	100 x 50 x 5	
79	N-1078	1	Bracket	Aluminum	100 x 50 x 5	
80	N-1079	1	Bracket	Aluminum	100 x 50 x 5	
81	N-1080	1	Bracket	Aluminum	100 x 50 x 5	
82	N-1081	1	Bracket	Aluminum	100 x 50 x 5	
83	N-1082	1	Bracket	Aluminum	100 x 50 x 5	
84	N-1083	1	Bracket	Aluminum	100 x 50 x 5	
85	N-1084	1	Bracket	Aluminum	100 x 50 x 5	
86	N-1085	1	Bracket	Aluminum	100 x 50 x 5	
87	N-1086	1	Bracket	Aluminum	100 x 50 x 5	
88	N-1087	1	Bracket	Aluminum	100 x 50 x 5	
89	N-1088	1	Bracket	Aluminum	100 x 50 x 5	
90	N-1089	1	Bracket	Aluminum	100 x 50 x 5	
91	N-1090	1	Bracket	Aluminum	100 x 50 x 5	
92	N-1091	1	Bracket	Aluminum	100 x 50 x 5	
93	N-1092	1	Bracket	Aluminum	100 x 50 x 5	
94	N-1093	1	Bracket	Aluminum	100 x 50 x 5	
95	N-1094	1	Bracket	Aluminum	100 x 50 x 5	
96	N-1095	1	Bracket	Aluminum	100 x 50 x 5	
97	N-1096	1	Bracket	Aluminum	100 x 50 x 5	
98	N-1097	1	Bracket	Aluminum	100 x 50 x 5	
99	N-1098	1	Bracket	Aluminum	100 x 50 x 5	
100	N-1099	1	Bracket	Aluminum	100 x 50 x 5	

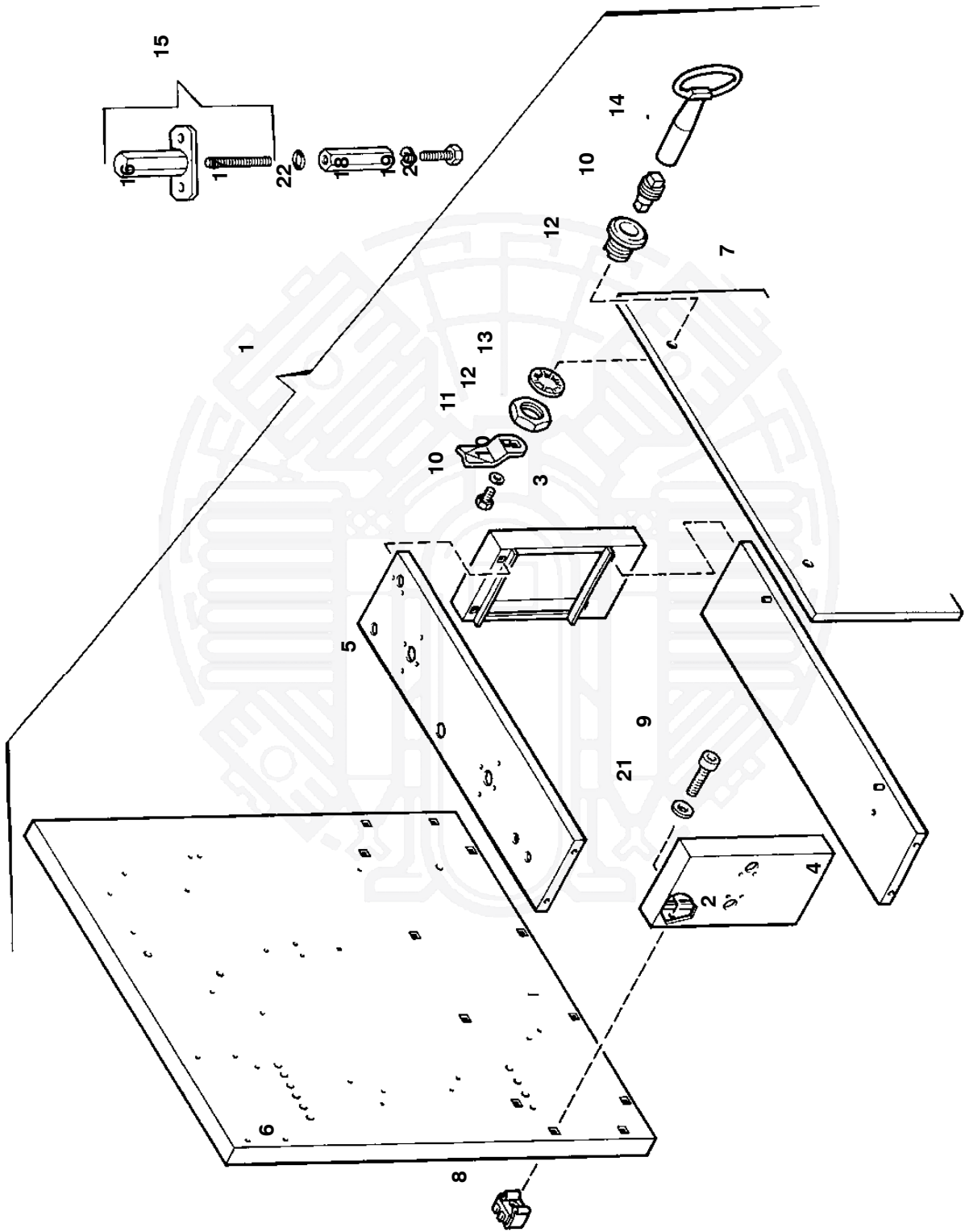




Part No.	Description	QTY	Unit	Material	Notes
1	Spare parts kit	1	Kit		
2	Washer	1	Washer		
3	Allen screw	1	Allen screw		
4	Valve function	1	Valve function		
5	O-ring	1	O-ring		
6	Valve seal	1	Valve seal		
7	O-ring	1	O-ring		
8	Sealing cone	1	Sealing cone		
9	Spacer	1	Spacer		
10	Allen screw	1	Allen screw		
11	Washer	1	Washer		
12	Washer	1	Washer		
13	Washer	1	Washer		
14	Washer	1	Washer		
15	Washer	1	Washer		
16	Washer	1	Washer		
17	Washer	1	Washer		
18	Washer	1	Washer		
19	Washer	1	Washer		
20	Washer	1	Washer		
21	Washer	1	Washer		
22	Washer	1	Washer		
23	Washer	1	Washer		
24	Washer	1	Washer		
25	Washer	1	Washer		
26	Washer	1	Washer		
27	Washer	1	Washer		
28	Washer	1	Washer		
29	Washer	1	Washer		
30	Washer	1	Washer		
31	Washer	1	Washer		
32	Washer	1	Washer		
33	Washer	1	Washer		
34	Washer	1	Washer		
35	Washer	1	Washer		
36	Washer	1	Washer		
37	Washer	1	Washer		
38	Washer	1	Washer		
39	Washer	1	Washer		
40	Washer	1	Washer		
41	Washer	1	Washer		
42	Washer	1	Washer		
43	Washer	1	Washer		
44	Washer	1	Washer		
45	Washer	1	Washer		
46	Washer	1	Washer		
47	Washer	1	Washer		
48	Washer	1	Washer		
49	Washer	1	Washer		
50	Washer	1	Washer		
51	Washer	1	Washer		
52	Washer	1	Washer		
53	Washer	1	Washer		
54	Washer	1	Washer		
55	Washer	1	Washer		
56	Washer	1	Washer		
57	Washer	1	Washer		
58	Washer	1	Washer		
59	Washer	1	Washer		
60	Washer	1	Washer		
61	Washer	1	Washer		
62	Washer	1	Washer		
63	Washer	1	Washer		
64	Washer	1	Washer		
65	Washer	1	Washer		
66	Washer	1	Washer		
67	Washer	1	Washer		
68	Washer	1	Washer		
69	Washer	1	Washer		
70	Washer	1	Washer		
71	Washer	1	Washer		
72	Washer	1	Washer		
73	Washer	1	Washer		
74	Washer	1	Washer		
75	Washer	1	Washer		
76	Washer	1	Washer		
77	Washer	1	Washer		
78	Washer	1	Washer		
79	Washer	1	Washer		
80	Washer	1	Washer		
81	Washer	1	Washer		
82	Washer	1	Washer		
83	Washer	1	Washer		
84	Washer	1	Washer		
85	Washer	1	Washer		
86	Washer	1	Washer		
87	Washer	1	Washer		
88	Washer	1	Washer		
89	Washer	1	Washer		
90	Washer	1	Washer		
91	Washer	1	Washer		
92	Washer	1	Washer		
93	Washer	1	Washer		
94	Washer	1	Washer		
95	Washer	1	Washer		
96	Washer	1	Washer		
97	Washer	1	Washer		
98	Washer	1	Washer		
99	Washer	1	Washer		
100	Washer	1	Washer		



Part No.	Part Name	QTY	Unit	Material	Notes	Drawn	Checked	Approved
1	Spare parts set	1	Set					
2	Washer	1	Washer					
3	Washer	1	Washer					
4	Washer	1	Washer					
5	Washer	1	Washer					
6	Washer	1	Washer					
7	Washer	1	Washer					
8	Washer	1	Washer					
9	Washer	1	Washer					
10	Washer	1	Washer					
11	Washer	1	Washer					
12	Washer	1	Washer					
13	Washer	1	Washer					
14	Washer	1	Washer					
15	Washer	1	Washer					
16	Washer	1	Washer					
17	Washer	1	Washer					
18	Washer	1	Washer					
19	Washer	1	Washer					
20	Washer	1	Washer					
21	Washer	1	Washer					
22	Washer	1	Washer					
23	Washer	1	Washer					
24	Washer	1	Washer					
25	Washer	1	Washer					
26	Washer	1	Washer					
27	Washer	1	Washer					
28	Washer	1	Washer					
29	Washer	1	Washer					
30	Washer	1	Washer					
31	Washer	1	Washer					
32	Washer	1	Washer					
33	Washer	1	Washer					
34	Washer	1	Washer					
35	Washer	1	Washer					
36	Washer	1	Washer					
37	Washer	1	Washer					
38	Washer	1	Washer					
39	Washer	1	Washer					
40	Washer	1	Washer					
41	Washer	1	Washer					
42	Washer	1	Washer					
43	Washer	1	Washer					
44	Washer	1	Washer					
45	Washer	1	Washer					
46	Washer	1	Washer					
47	Washer	1	Washer					
48	Washer	1	Washer					
49	Washer	1	Washer					
50	Washer	1	Washer					
51	Washer	1	Washer					
52	Washer	1	Washer					
53	Washer	1	Washer					
54	Washer	1	Washer					
55	Washer	1	Washer					
56	Washer	1	Washer					
57	Washer	1	Washer					
58	Washer	1	Washer					
59	Washer	1	Washer					
60	Washer	1	Washer					
61	Washer	1	Washer					
62	Washer	1	Washer					
63	Washer	1	Washer					
64	Washer	1	Washer					
65	Washer	1	Washer					
66	Washer	1	Washer					
67	Washer	1	Washer					
68	Washer	1	Washer					
69	Washer	1	Washer					
70	Washer	1	Washer					
71	Washer	1	Washer					
72	Washer	1	Washer					
73	Washer	1	Washer					
74	Washer	1	Washer					
75	Washer	1	Washer					
76	Washer	1	Washer					
77	Washer	1	Washer					
78	Washer	1	Washer					
79	Washer	1	Washer					
80	Washer	1	Washer					
81	Washer	1	Washer					
82	Washer	1	Washer					
83	Washer	1	Washer					
84	Washer	1	Washer					
85	Washer	1	Washer					
86	Washer	1	Washer					
87	Washer	1	Washer					
88	Washer	1	Washer					
89	Washer	1	Washer					
90	Washer	1	Washer					
91	Washer	1	Washer					
92	Washer	1	Washer					
93	Washer	1	Washer					
94	Washer	1	Washer					
95	Washer	1	Washer					
96	Washer	1	Washer					
97	Washer	1	Washer					
98	Washer	1	Washer					
99	Washer	1	Washer					
100	Washer	1	Washer					



Part No	Description	Material	Quantity	Unit	Notes	Dimensional
1	Plaque	Aluminum	1	PC	Plaque	
2	Side panel	Aluminum	1	PC	Side panel	
3	Front panel	Aluminum	1	PC	Front panel	
4	Back panel	Aluminum	1	PC	Back panel	
5	Top cover	Aluminum	1	PC	Top cover	
6	Bottom cover	Aluminum	1	PC	Bottom cover	
7	Internal frame	Aluminum	1	PC	Internal frame	
8	Bracket	Aluminum	1	PC	Bracket	
9	Support arm	Aluminum	1	PC	Support arm	
10	Mounting plate	Aluminum	1	PC	Mounting plate	
11	Roller	Steel	2	EA	Roller	
12	Spacer	Aluminum	1	PC	Spacer	
13	Bracket	Aluminum	1	PC	Bracket	
14	Roller	Steel	2	EA	Roller	
15	Roller	Steel	2	EA	Roller	
16	Roller	Steel	2	EA	Roller	
17	Roller	Steel	2	EA	Roller	
18	Roller	Steel	2	EA	Roller	
19	Roller	Steel	2	EA	Roller	
20	Roller	Steel	2	EA	Roller	
21	Roller	Steel	2	EA	Roller	
22	Roller	Steel	2	EA	Roller	
23	Roller	Steel	2	EA	Roller	
24	Roller	Steel	2	EA	Roller	
25	Roller	Steel	2	EA	Roller	
26	Roller	Steel	2	EA	Roller	
27	Roller	Steel	2	EA	Roller	
28	Roller	Steel	2	EA	Roller	
29	Roller	Steel	2	EA	Roller	
30	Roller	Steel	2	EA	Roller	
31	Roller	Steel	2	EA	Roller	
32	Roller	Steel	2	EA	Roller	
33	Roller	Steel	2	EA	Roller	
34	Roller	Steel	2	EA	Roller	
35	Roller	Steel	2	EA	Roller	
36	Roller	Steel	2	EA	Roller	
37	Roller	Steel	2	EA	Roller	
38	Roller	Steel	2	EA	Roller	
39	Roller	Steel	2	EA	Roller	
40	Roller	Steel	2	EA	Roller	

